



# Lawson Hammock

THE GOOD LIFE.

## BLUE RIDGE CAMPING HAMMOCK

These parts are inside your stuff sack, ready to assemble:



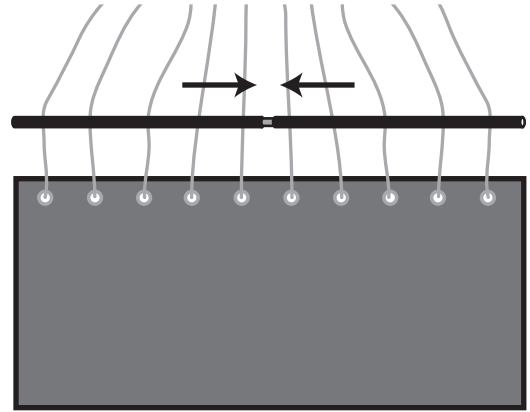
HAMMOCK W/ COLLAPSED SPREADER BARS



ARCH POLES

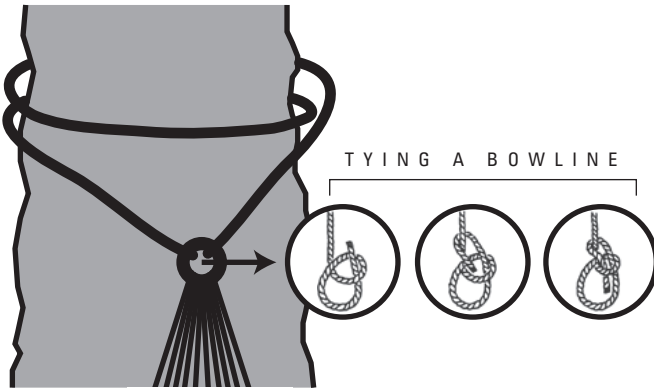


RAINFLY/TARP



1

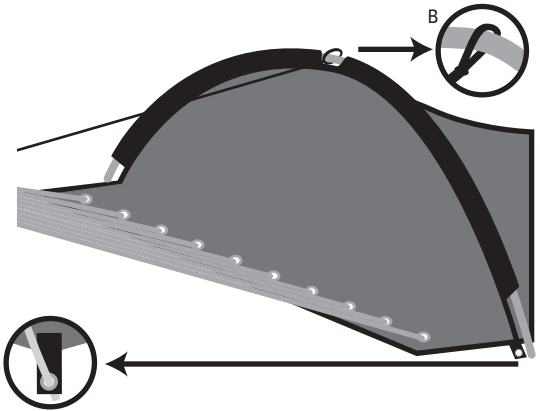
At each end of the unrolled hammock, join spreader bar halves. Make sure ropes are not tangled or twisted. Check all knots on ropes attached to hammock bed for tightness. Ropes may stretch with use, requiring occasional re-tightening.



TYING A BOWLINE

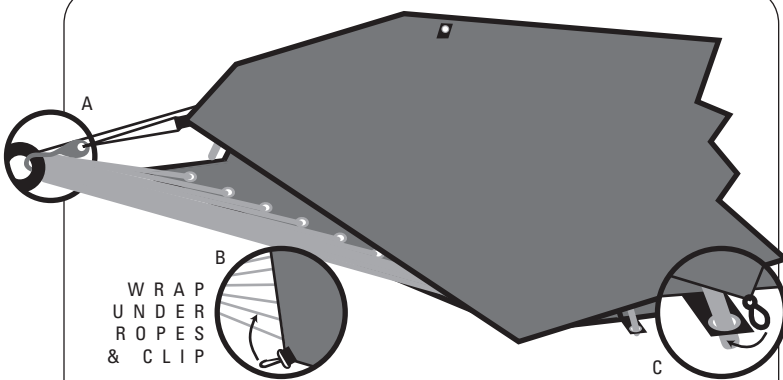
2

Hang hammock between two trees or sturdy upright objects using Tree Huggers (sold on our website) or rope/webbing as shown. Attach hanging rope at hammock end loop with a bowline or other strong knot, and wrap rope at least once around tree before re-attaching to hammock end loop with another bowline (see detail above). NOTE: Tie 3-4' off ground, keeping rope & hammock taut.



3

Once hammock is hung, fit together the two shock-corded aluminum arch poles and slide one through each sleeve on top of hammock. Insert end of each pole through grommet as shown (detail A). Attach snap hooks on elastic cords at ends of hammock to tops of arch poles (detail B). Shorten elastic if necessary to keep canopy tight.



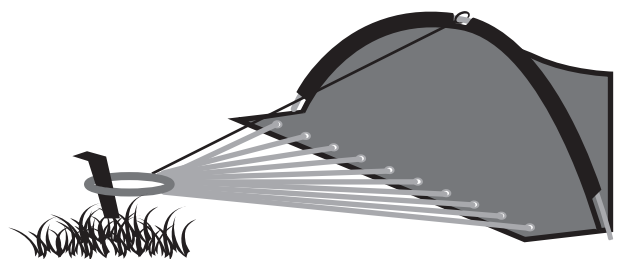
WRAP UNDER ROPES & CLIP

4

To use rainfly, extend over hammock, attaching hooks at each end to hammock end loops (detail A). Attach snap hooks at rainfly corners to adjacent hammock ropes (B). Fit elastic loops on rainfly sides around bottoms of arch poles (C). Attach Velcro® tabs on rainfly sides to Velcro® tabs on hammock bottom. Rainfly will appear loose when hammock is empty. If tightening is necessary, attach snap hooks from B farther in on hammock ropes, or knot elastic cord from A.



**BIVY SETUP:** Follow above instructions, but do not hang (#2). Instead, use stakes to stretch & secure both ends of hammock to ground as shown. Continue with steps #3-4.



SEE REVERSE FOR NOTES & CARE

## NOTES:

Always open net door completely before entering. Sit in the middle of the hammock with both feet on ground. Carefully swing feet in and lie down. Reverse steps to exit. Never step or jump in.

The bowline knots recommended for tying your hammock ropes tighten with use, but may be slightly loose when hammock is new or hasn't been used recently. Before you enter the hammock, always check knots and tighten ropes as necessary.

One person at a time in the hammock — weight limit 250 lbs.

Don't leave children unattended in the hammock. This is not a toy; children should use the hammock only with adult supervision.

Keep hammock away from fire or flame. Parts of the hammock have been treated with fire retardant, but the hammock & rainfly will burn if kept in contact with flame or high heat source.

If using the hammock in colder temperatures, attach the rain fly to help contain body heat. For added insulation, secure a sleeping bag or emergency blanket to the hammock floor.

To protect trees, wrap your hanging rope around several times.

## CARE:

Your Blue Ridge Camping Hammock has been seam sealed, and the rainfly, buffer zone and bottom are urethane coated. Check every season that the seams are still sealed; apply additional sealer if necessary. Seam sealing is made easier by hanging the hammock to reach all inside seams. Be sure to liberally coat all areas of higher stress, such as the head and foot of hammock.

Before putting away, be sure that both the hammock and rainfly are dry and free of debris. Store in a dry place away from heat. Do not store on concrete, which contains chemicals that can harm the hammock fabric and its finish.

Avoid contact with substances that can compromise the fabric & coating, such as solvents, hair & insect spray, fruit juices, etc.

To clean, hand wash with mild soap and rinse well with clean water. Do not use strong detergents or wash in a machine.

Lubricate the zipper with silicone if necessary. Do not attempt to force a jammed zipper — this could ruin the zipper tab as well as the fabric. Keep the tab clean and free of dirt or sand.

If the taffeta should rip, use a rip-stop repair tape to patch. Seam sealer will close small holes. Discontinue use if grommets come out — hammock bed could rip.

Do not hang gear from, sit on, or otherwise add weight or stress to the spreader bars, as they may break.

## LAWSON HAMMOCK CO. LIMITED WARRANTY

Lawson Hammock Co. warrants to the original purchaser that its products are free from defects in material and workmanship for the period of one (1) year from date of purchase. The product must be returned, freight prepaid, and with proof of the date of purchase, to the Lawson Hammock dealer from whom this product was purchased or to the Lawson Hammock Co., 1217 Pierce Street, Raleigh NC 27605 USA. If after inspection we find that the product was defective in material or workmanship we shall at our option either repair or replace it without charge. We are not responsible for normal wear and tear or for defects caused by accident, abuse, alteration, misuse, or improper care.

There are no other express warranties beyond the terms of this limited warranty. In no event shall any implied warranties, including merchantability and fitness for a particular purpose, extend beyond the duration of the express warranty contained herein. In no event shall Lawson Hammock Co. be liable for incidental or consequential damages.

Some States do not allow limitations on how long an implied warranty lasts or the exclusion or limitation of incidental or consequential damages, so the above limitations may not apply to you.

---

If you have any questions regarding your Blue Ridge Camping Hammock please contact us at **(919) 829-7076** or **info@lawsonhammock.com**. We welcome feedback of any kind that will help us evaluate our products.

Thank you,  
**Lawson Hammock Company**

Fabric Composition: Hammock, rainfly & net – 100% Nylon/Polyester. Covered under US patent.

**Lawson Hammock Co. • PO Box 12602 • Raleigh NC 27605 • (919) 829-7076 • www.lawsonhammock.com**